



exhibition
s u p p l i e s

Ph: 02 8003 5541 or 0410 476 244
sales@exhibitionsupplies.net.au

ABN 25 135 086-887

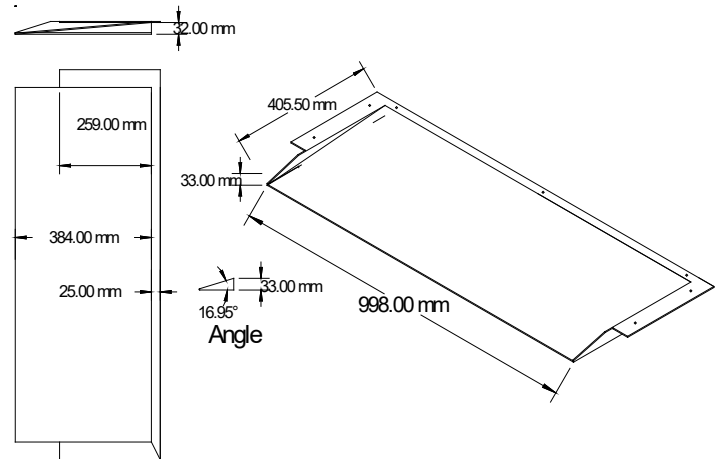
NEW RELEASE – DISABLED ACCESS RAMP

Features:

- Drop in design
- Designed to allow for 100mm wide edge ramp
- 998mm wide – so simply cut 1,000mm floor tile short to accommodate
- 1 in 12 slope when used on 32mm high floor – complies with building code for ramp angle
- 3mm mild steel
- Powdercoated finish

NEW product release:

- Disabled Access Ramp
- Suit 32mm high floor



Ph: 02 8003 5541 or 0410 476 244 | sales@exhibitionsupplies.net.au

ABN 25 135 086-887